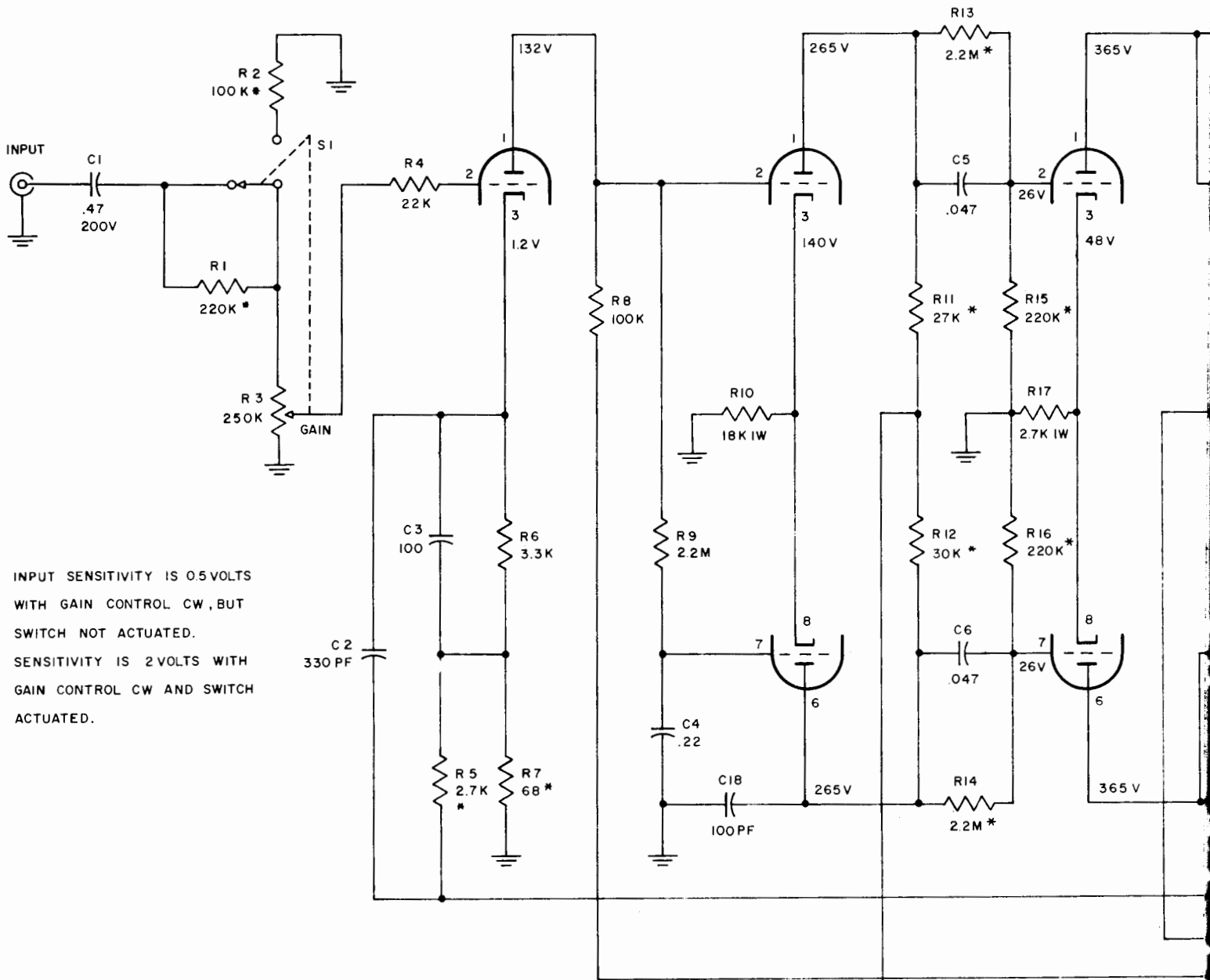


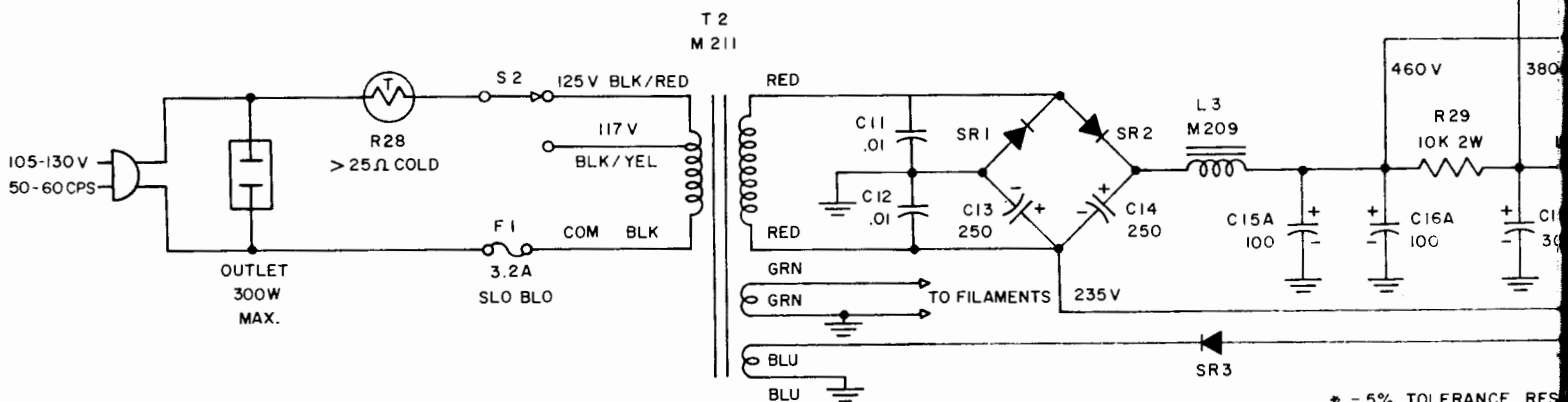
V1-A  
1/2 12AX7

V2  
12AU7

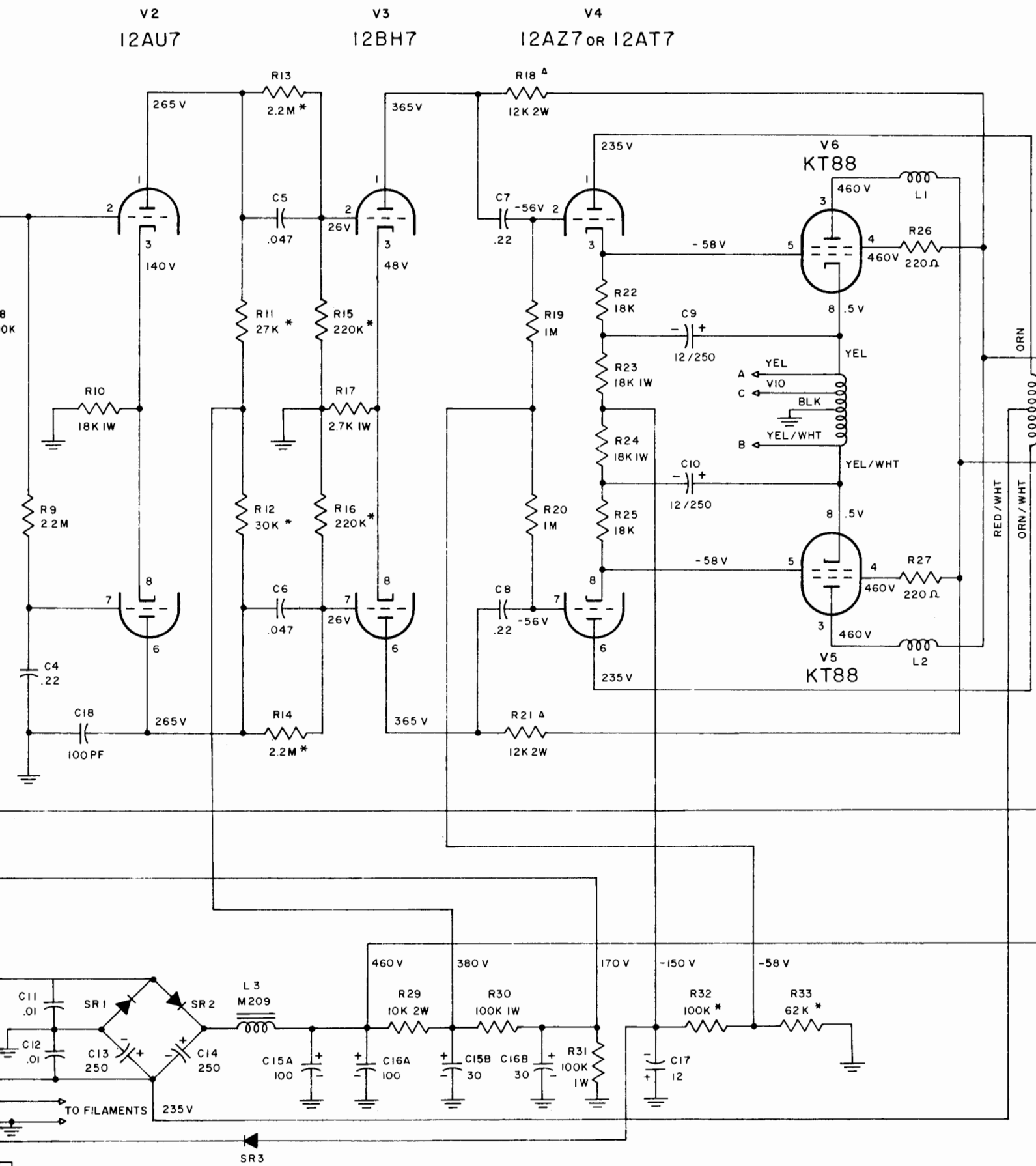
V3  
12BH7



INPUT SENSITIVITY IS 0.5VOLTS  
WITH GAIN CONTROL CW, BUT  
SWITCH NOT ACTUATED.  
SENSITIVITY IS 2VOLTS WITH  
GAIN CONTROL CW AND SWITCH  
ACTUATED.



\* - 5% TOLERANCE RES  
Δ - R18 AND R21 MATCHED  
SR1 AND SR2 = SILICON  
SR3 = SELENIUM RECTIF



\* - 5% TOLERANCE RESISTORS

Δ - R18 AND R21 MATCHED WITHIN 1%

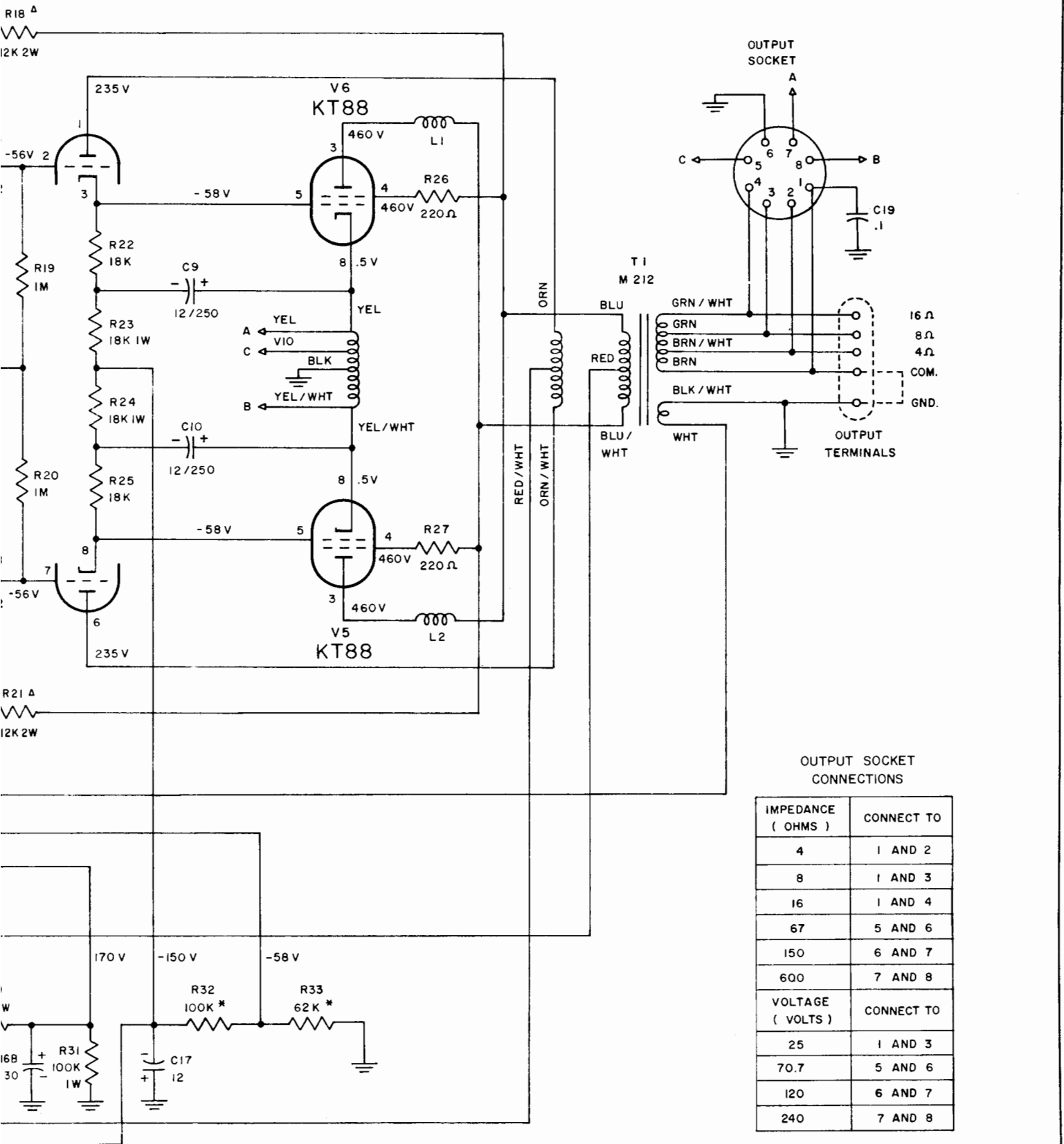
SR1 AND SR2 = SILICON RECTIFIERS, 600 PIV @ 500MA

SR3 = SELENIUM RECTIFIER, 400 PIV @ 65 MA

Doc. 00000

REV	C N	REVISION	DATE	BY	CHKD	APPD
A						
B						
C						

V4  
12AZ7 OR 12AT7



OUTPUT SOCKET CONNECTIONS

IMPEDANCE ( OHMS )	CONNECT TO
4	1 AND 2
8	1 AND 3
16	1 AND 4
67	5 AND 6
150	6 AND 7
600	7 AND 8
VOLTAGE ( VOLTS )	CONNECT TO
25	1 AND 3
70.7	5 AND 6
120	6 AND 7
240	7 AND 8

S  
MIN 1%  
DIODES, 600 PIV @ 500MA  
400 PIV @ 65 MA

MATERIAL	TITLE	PART NO.
	MC75 SCHEMATIC	
DESIGN	McIntosh LABORATORY INC. 2 Chambers St. Binghamton, N.Y.	USED ON
TOLERANCES - Unless otherwise specified: Resistors - 5% Angles - 1/2° DCS Decimals	SCALE DRAWN BY A.D.C. DATE 12-5-63 CHK B.S.	DWG NO. SC122 D157 REV